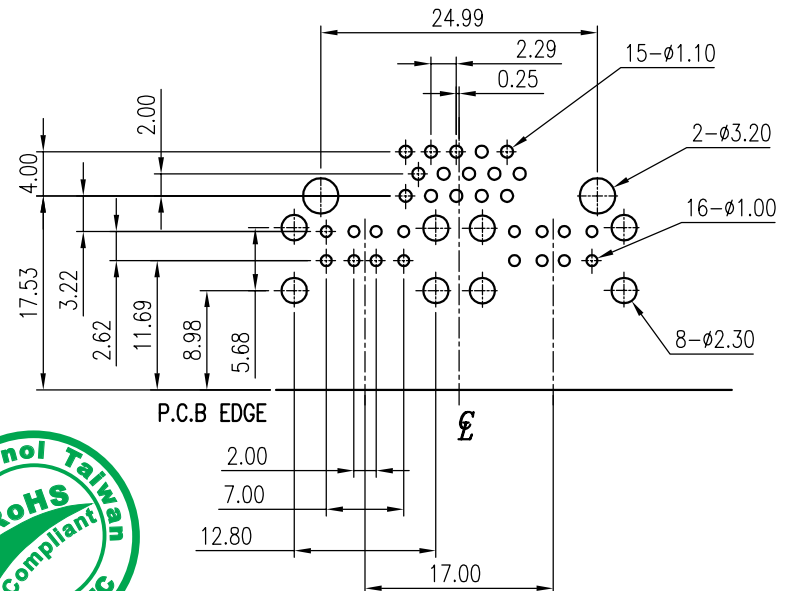
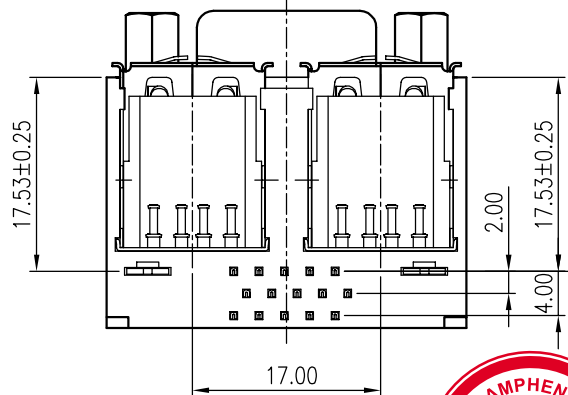
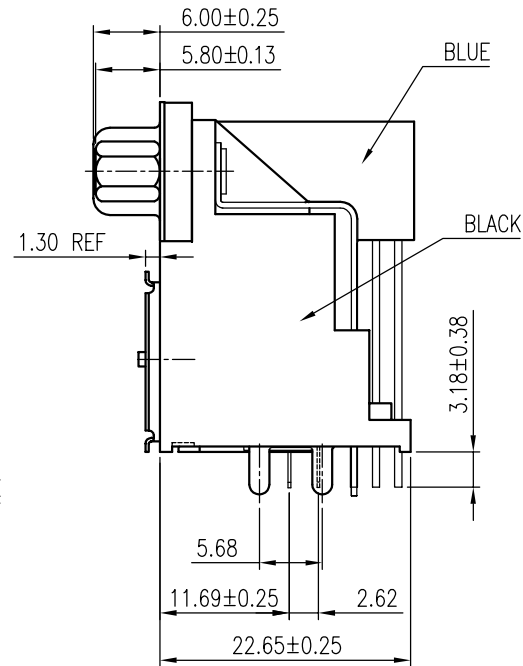
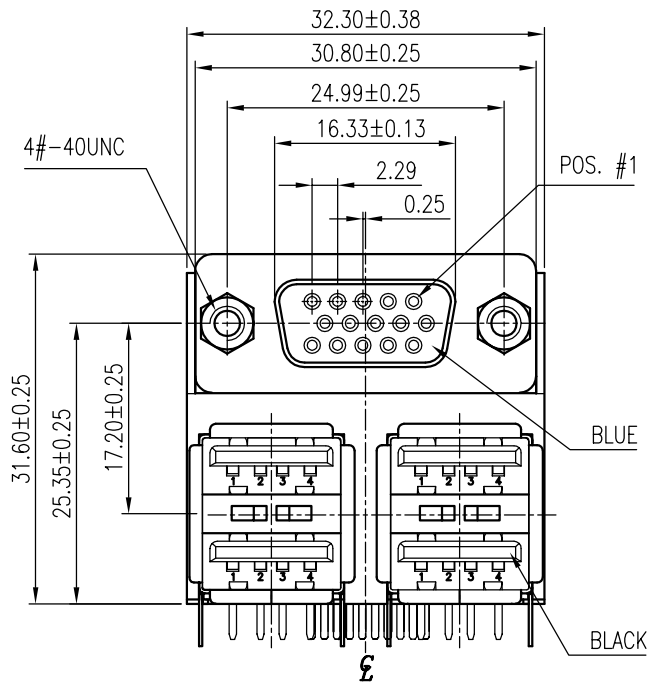


This document is the property of Amphenol Corporation and is delivered on the express condition that it is not to be disclosed, reproduced or used, in whole or in part, for manufacture or sale by anyone other than Amphenol Corporation without its prior consent, and that no right is granted to disclose or to use any information in this document.

CUSTOMER DRAWING

ORIGINAL

REVISIONS				
SYM	ECN No.	DESCRIPTION	DATE	APPROVED
A		RELEASE FOR RoHS	07/06/2005	Henry Ko
B	NE-05249	ADDING "PER PANTONE 661C" IN NOTE 3.	08/12/2005	Henry Ko
C	NE-05260	MODIFIED COLOR OF BRACKET FROM BLUE TO BLACK	08/22/2005	Henry Ko



NOTES:

- FRONT SHELL: COLD ROLLER STEEL, NICKEL PLATED
- CONTACT: BRASS, SELECTIVE GOLD PLATED ON CONTACT AREA, TIN PLATED ON SOLDERING AREA, NICKEL UNDERPLATED OVERALL
- INSULATOR OF DSUB: PBT, UL 94V-0, COLOR- BLUE (PER PANTONE 661C)
- INSULATOR OF USB: PBT, UL 94V-0, COLOR- BLACK
- TOP CONNECTOR: D-SUB 15-POSITION, HIGH DENS., RECEPTACLE
BOTTOM CONNECTOR: STACKED USB A TYPE x 2
- THIS PRODUCT DOESN'T CONTAIN ENVIRONMENTAL HAZARDOUS MATERIALS PER DIRECTIVE 2002/95/EC FOR RoHS
- THE PRODUCT MUST BE FOR DIP PROCESS ONLY



TOLERANCE m/m	APPROVALS	DATE	TITLE	Amphenol® Amphenol Corporation Amphenol Taiwan Corporation	
x. ±0.30	DRAWN Sondra Sang	08/22/05	G17H SERIES	SCALE N.A.	SHEET 1 OF 1
x.x ±0.25	CHECKED Laura Su	08/22/05	DSUB, 15S HIGHT DENSITY		
x.xx ±0.15	APPROVED Ken Lin for	08/22/05	/ STACKED USB A TYPE x 2		
x.xxx ±0.08			R/A PCB MOUNT, FOR PC99		
ANGULAR ±2°					
UNLESS OTHERWISE SPECIFIED	UNIT MM		SIZE A4	PART NO. G17H 97T X221 PEU	DRAWING NO. DSUB-G17H97TX221PEU-25
					REV. C