

*Now you're connected!*

### About Amphenol Commercial Products

Amphenol's commercial connector products are used in a variety of end user applications including networking, telecom, server & computer, storage & HDD, consumer electronics and entertainment, professional audio & Industrial & Military/Aerospace.

### Related Products

#### RJSSE

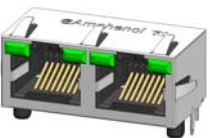


P/N RJSSE-5381 SHOWN  
SINGLE PORT, 8 POSITION,  
WITH SHIELD AND LIGHT PIPE

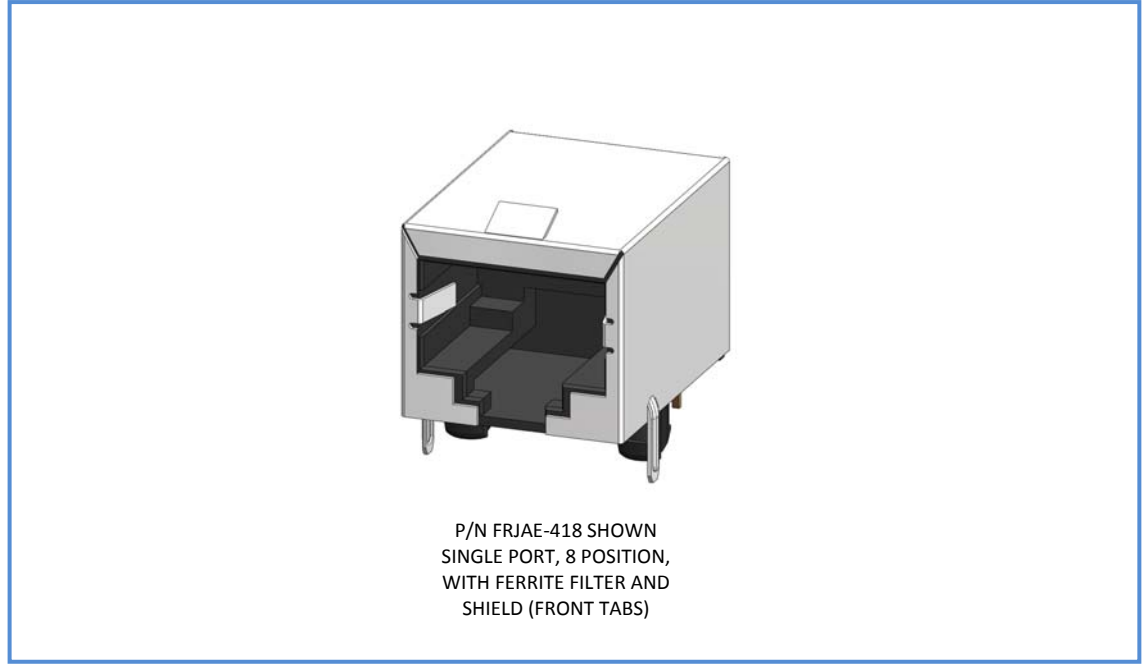
#### RJHSE



P/N RJHSE-3081 SHOWN  
SINGLE PORT VERTICAL MOUNT,  
NO SHIELD, WITH LEDs



P/N RJHSE-5385-02 SHOWN  
TWO PORT REGULAR MOUNT,  
WITH SHIELD AND LEDs



P/N FRJAE-418 SHOWN  
SINGLE PORT, 8 POSITION,  
WITH FERRITE FILTER AND  
SHIELD (FRONT TABS)

### Overview

This product specification defines the general use and performance parameters for Amphenol's FRJAE series of shielded and filtered modular jacks.

Availability: Single and multiport versions available with filter and shielding options.

### Usage

The FRJAE shielded and filtered modular jacks supports Ethernet Protocols. Shielding available as well as filtering with the use of a high resistivity, high impedance Ferrite block for superior EMC performance.

### Applications

Intended for use in applications such as:

#### Networking & Telecom

- Wireless (WiMAX)
- Network servers
- Hubs, routers, switches

#### Office & Home Equipment

- PC's, Laptops, Copiers/Printers
- Telephones, modems
- Surge Protectors
- ATMs, Vending Machines

#### Consumer Goods

- Security Systems
- Set Top Boxes
- Video Game Systems

#### Miscellaneous

- Multi-Media Equipment
- Industrial Equipment
- POS Terminals

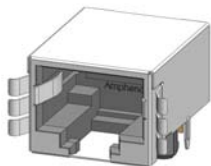
# Now you're connected!

## About Amphenol Commercial Products

Amphenol's commercial connector products are used in a variety of end user applications including networking, telecom, server & computer, storage & HDD, consumer electronics and entertainment, professional audio & Industrial & Military/Aerospace.

## Related Products

### RJ45



P/N RJ45-4X182-01 SHOWN  
SINGLE PORT REGULAR MOUNT,  
STANDARD SHIELD WITH SMT

### RJ45



P/N RJ45-5385-02 SHOWN  
STACKED 2x1, 8 POSITION,  
WITH SHIELD AND LEDs

## Electrical Characteristics

Contact resistance:	20 mΩ max.
Insulation resistance:	500 MΩ minimum at 500V DC for 2 minutes max.
Current rating:	1.5 Amps
Voltage rating:	125 Volts AC
DWV	1000 VAC, 60 Hz. 1 min.

## Mechanical Characteristics

Mating connector insertion force: 5.0 lbs. Maximum.  
Mating connector pull retention force: 20 lbs Minimum.  
Durability: 750 mating & unmating cycles  
Recommended soldering temperature: Wave soldering peaked at 260° C for 5 seconds maximum.  
Suitable for IR Reflow

Operating temperature: -55° C to +85° C

## Material Requirements

FRJAE connectors are RoHS compliant.  
Unless otherwise specified, the materials for each component shall be:

Insulator:

- High Temp thermoplastic. Complies with UL 94V-0, Black color

Contacts:

- Phosphor Bronze hard temper with gold thickness options (6μ", 15μ", 30μ", 50μ") over 50μ" minimum Nickel on contact mating area.
- 100μ" minimum matte tin plating on soldering tail

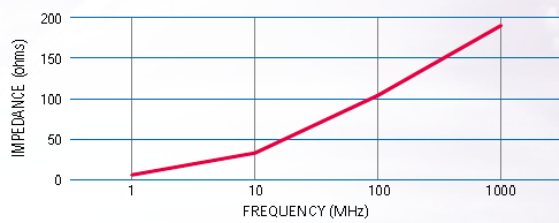
Shield:

- Copper alloy; Nickel plated with pure tin dipped tail

Filter:

- High Impedance, High Resistivity Ferrite block

## Impedance Characteristics



## Available Documents

### Drawing Numbers:

P-FRJAE-XXX-0X 6 & 8 Position, with or without Ferrites, 2, 4 & 8 Ports, Shielded or Unshielded  
P-FRJAE-XXX 6 & 8 Position, with or without Ferrites, Single Port, Shielded or Unshielded  
Contact factory or Authorized Amphenol representative for additional configurations