

**Pin Headers**  
**Straight PCB Mount, Board Spacer, 2.54mm Pitch**

**Product Specification:**

**Materials and Finish**

**Insulator:** Glass-reinforce thermoplastic, UL-94V-0 rated, color-black

**Contact:** Phosphor bronze per QQ-B-750, plated full flash gold or selected gold in mating area; 100µ" min. tin-lead on termination area, with entire contact under-plated 50µ" min. nickel

**Electrical**

**Contact Resistance:** 20 milliohms max. at 1 ampere DC

**Insulation Resistance:** 5000 megohms at 500 VDC

**Dielectric Withstanding Voltage:** 500 VAC/rms 60Hz for one minute

**Current Rating:** 3 amperes per contact

**Voltage Rating:** 250 VAC/rms 60Hz

**Mechanical**

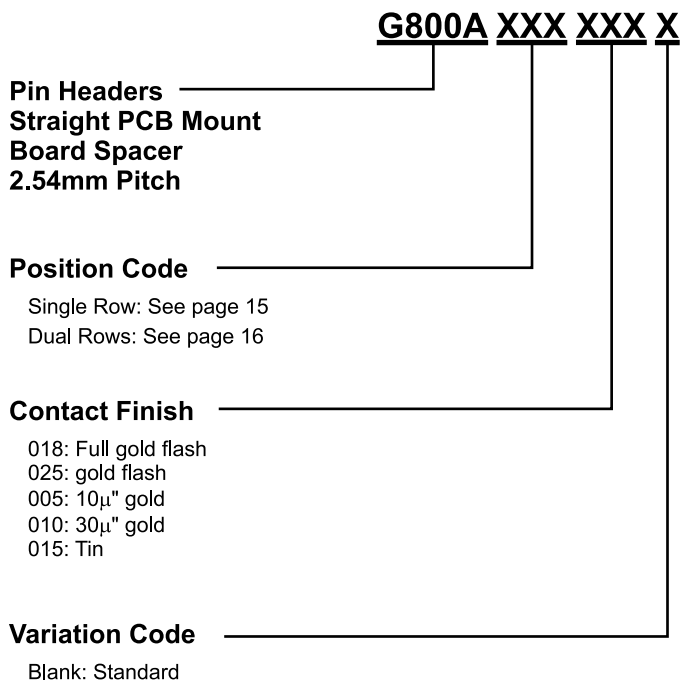
**Contact Retention:** 2.0 kgs minimum per contact

**Durability:** See page 9

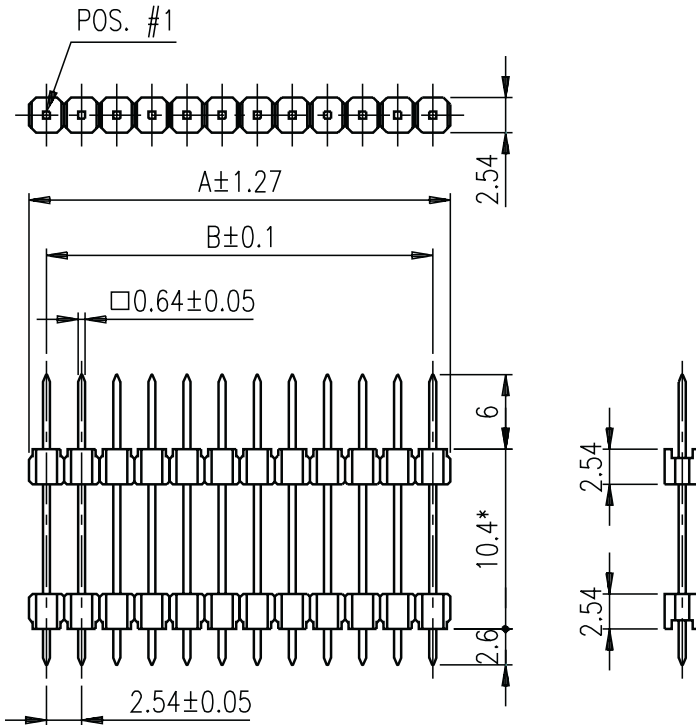
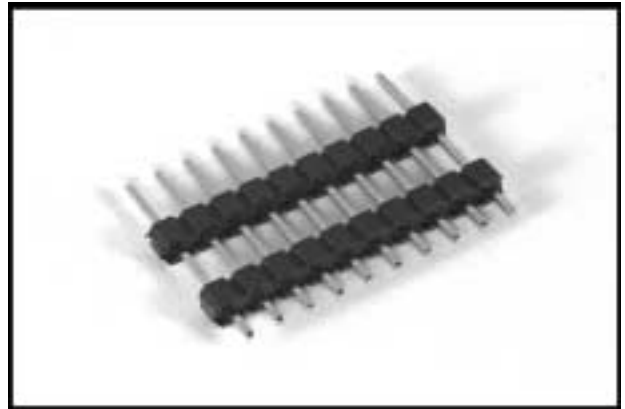
**Related Product Data**

**PC Board Layout:** See page 17

**Ordering Information:**



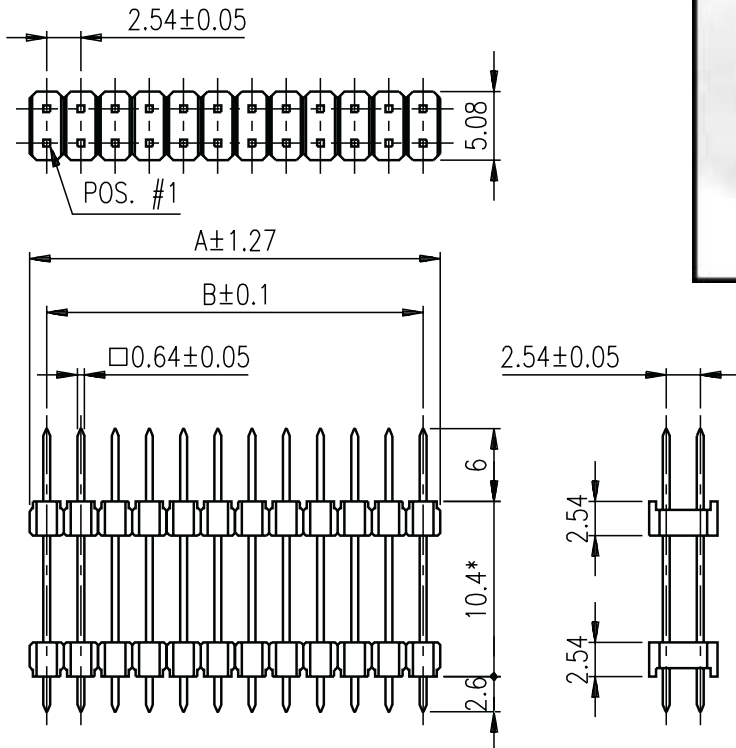
**Pin Headers**  
**Straight PCB Mount, Single Row**  
**Board Spacer, 2.54mm pitch**



\* Other Spacing distances are available upon request, contact your nearest Amphenol sales office for detailed information.

Position Code	No. of Positions	Dimensions (mm)		Position Code	No. of Positions	Dimensions (mm)	
		A	B			A	B
306	1x2=2	5.08	2.54	286	1x22=22	55.88	53.34
305	1x3=3	7.62	5.08	285	1x23=23	58.42	55.88
304	1x4=4	10.16	7.62	284	1x24=24	60.96	58.42
303	1x5=5	12.70	10.16	283	1x25=25	63.50	60.96
302	1x6=6	15.24	12.70	282	1x26=26	66.04	63.50
301	1x7=7	17.78	15.24	281	1x27=27	68.58	66.04
300	1x8=8	20.32	17.78	280	1x28=28	71.12	68.58
299	1x9=9	22.86	20.32	279	1x29=29	73.66	71.12
298	1x10=10	25.40	22.86	278	1x30=30	76.20	73.66
297	1x11=11	27.94	25.40	277	1x31=31	78.74	76.20
296	1x12=12	30.48	27.94	276	1x32=32	81.28	78.74
295	1x13=13	33.02	30.48	275	1x33=33	83.82	81.28
294	1x14=14	35.56	33.02	274	1x34=34	86.36	83.82
293	1x15=15	38.10	35.56	273	1x35=35	88.90	86.36
292	1x16=16	40.64	38.10	272	1x36=36	91.44	88.90
291	1x17=17	43.18	40.64	271	1x37=37	93.98	91.44
290	1x18=18	45.72	43.18	270	1x38=38	96.52	93.98
289	1x19=19	48.26	45.72	269	1x39=39	99.06	96.52
288	1x20=20	50.80	48.26	268	1x40=40	101.60	99.06
287	1x21=21	53.34	50.80				

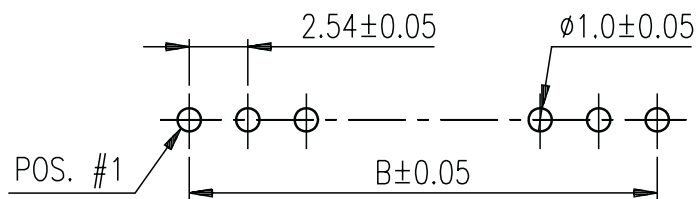
**Pin Headers**  
**Straight PCB Mount, Dual Rows**  
**Board Spacer, 2.54mm Pitch**



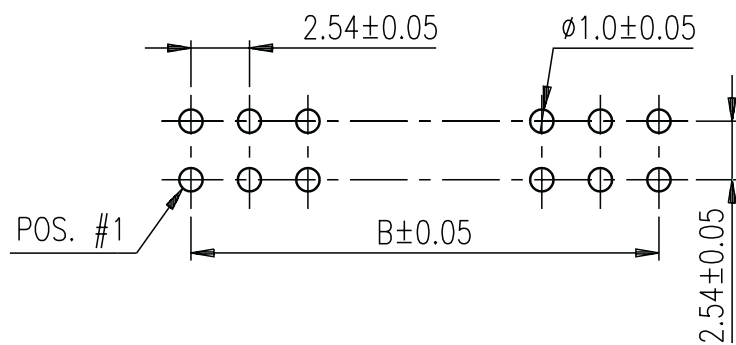
\* Other Spacing distances are available upon request, contact your nearest Amphenol sales office for detailed information.

Position Code	No. of Positions	Dimensions (mm)		Position Code	No. of Positions	Dimensions (mm)	
		A	B			A	B
594	2x2=4	5.08	2.54	574	2x22=44	55.88	53.34
593	2x3=6	7.62	5.08	573	2x23=46	58.42	55.88
592	2x4=8	10.16	7.62	572	2x24=48	60.96	58.42
591	2x5=10	12.70	10.16	571	2x25=50	63.50	60.96
590	2x6=12	15.24	12.70	570	2x26=52	66.04	63.50
589	2x7=14	17.78	15.24	569	2x27=54	68.58	66.04
588	2x8=16	20.32	17.78	568	2x28=56	71.12	68.58
587	2x9=18	22.86	20.32	567	2x29=58	73.66	71.12
586	2x10=20	25.40	22.86	566	2x30=60	76.20	73.66
585	2x11=22	27.94	25.40	565	2x31=62	78.74	76.20
584	2x12=24	30.48	27.94	564	2x32=64	81.28	78.74
583	2x13=26	33.02	30.48	563	2x33=66	83.82	81.28
582	2x14=28	35.56	33.02	562	2x34=68	86.36	83.82
581	2x15=30	38.10	35.56	561	2x35=70	88.90	86.36
580	2x16=32	40.64	38.10	560	2x36=72	91.44	88.90
579	2x17=34	43.18	40.64	559	2x37=74	93.98	91.44
578	2x18=36	45.72	43.18	558	2x38=76	96.52	93.98
577	2x19=38	48.26	45.72	557	2x39=78	99.06	96.52
576	2x20=40	50.80	48.26	556	2x40=80	101.60	99.06
575	2x21=42	53.34	50.80				

Recommended PCB Layouts  
Pin Headers, 2.54mm Pitch



Single Row



Dual Rows