

## Box Headers, With Lock & Eject PCB Mount, 2.54mm Pitch

### Product Specification:

#### Materials and Finish

**Insulator:** Glass-reinforced thermoplastic (P.B.T), UL-94V-0 rated

**Contact:** Phosphor bronze per QQ-B-750, plated full flash gold or selected gold in mating area; 100µ" min. tin-lead on termination area, with entire contact under-plated 50µ" min. nickel

#### Electrical

**Contact Resistance:** 20 milliohms max. at 1 ampere DC

**Insulation Resistance:** 1000 megohms at 500 VDC

**Dielectric Withstanding Voltage:** 500 VAC/rms 60Hz for one minute

**Current Rating:** 1 ampere per contact

**Voltage Rating:** 250 VAC/rms 60Hz

#### Mechanical

**Contact Retention:** 2.0 kgs minimum per contact

**Latch Retention:** 8.0 kgs minimum

**Durability:** See page 9

#### Related Product Data

##### PC Board Layout:

Straight PCB mount: See page 87

Right angle PCB mount: See page 88

### Ordering Information:

**G816 XX XX X XX X X**

**Box Headers**  
**2.54mm Pitch, with L&E**

**Number of Positions**

- 10: 10 positions
- 14: 14 positions
- 16: 16 positions
- 20: 20 positions
- 26: 26 positions
- 30: 30 positions
- 34: 34 positions
- 40: 40 positions
- 50: 50 positions
- 60: 60 positions
- 64: 64 positions

**Contact Characteristics**

- 30: Straight solder PC tail(2.84mm)
- 31: Straight solder PC tail(3.94mm)
- 32: R/A solder PC tail(2.54mm)
- 33: R/A solder PC tail(4.06mm)
- 34: Straight solder PC tail(3.5mm)
- 35: R/A solder PC tail(3.5mm)
- 37: Straight wire wrap tail
- 39: R/A wire wrap tail
- 40: Straight solder PC tail(2.67mm)
- 41: R/A solder PC tail(2.67mm)

**Lock & Eject (L&E) and Mounting Stud Options**

- 0: No L&E, no stud
- 1: Short L&E, no stud
- 2: Short L&E, short stud
- 3: Short L&E, long stud
- 4: Long L&E, no stud
- 5: Long L&E, short stud
- 6: Long L&E, long stud

**Contact Finish**

- AA: Flash gold
- 01: Full flash gold
- 19: 15µ" gold
- 35: 30µ" gold
- 57: 50µ" gold

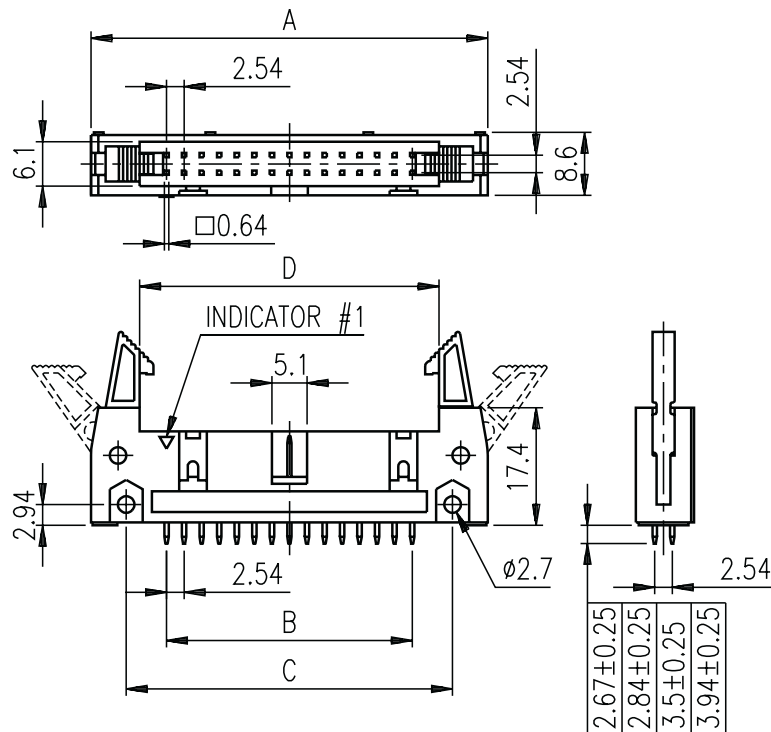
**Color of Insulator**

- B: Black
- G: Gray

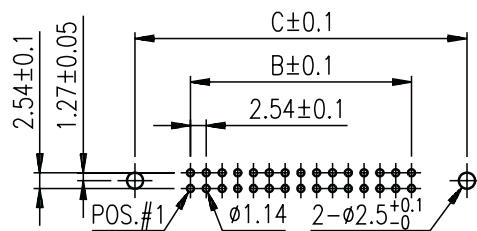
**Variation Code**

- Blank: Standard

**Box Headers, With Lock & Eject**  
**Straight PCB Mount, 2.54mm pitch**

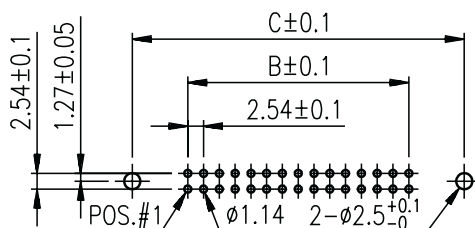
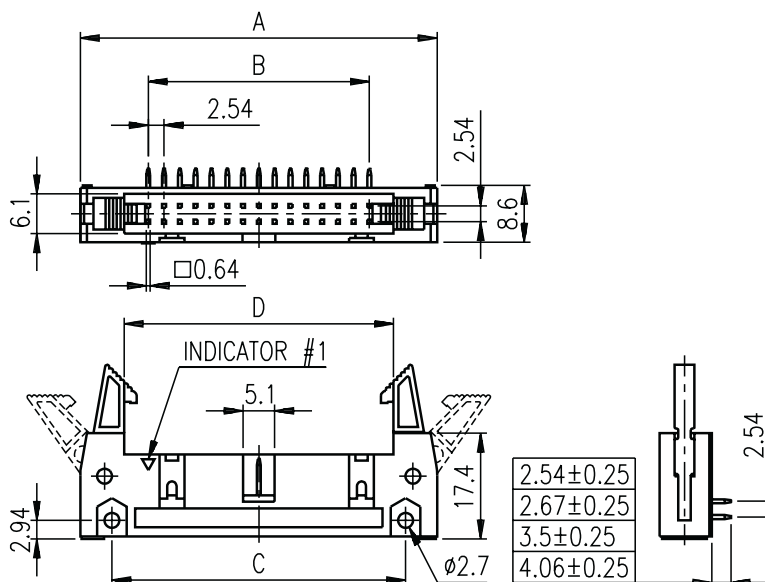


**Straight PCB Mount**



**Recommended PCB Layout**

**Box Headers, With Lock & Eject  
Right Angle PCB Mount, 2.54mm Pitch**



**Recommended PCB Layout**

**Dimension Table**  
**Box Headers, PCB Mount, 2.54mm pitch**

| No. Of Positions | Dimensions (mm) |       |       |       |
|------------------|-----------------|-------|-------|-------|
|                  | A               | B     | C     | D     |
| 10               | 31.88           | 10.16 | 21.84 | 17.96 |
| 14               | 37.02           | 15.24 | 26.92 | 23.04 |
| 16               | 39.52           | 17.78 | 29.46 | 25.58 |
| 20               | 44.74           | 22.86 | 34.54 | 30.66 |
| 26               | 52.20           | 30.48 | 42.16 | 38.28 |
| 30               | 57.40           | 35.56 | 47.24 | 43.36 |
| 34               | 62.40           | 40.64 | 52.32 | 48.44 |
| 40               | 70.04           | 48.26 | 59.94 | 56.60 |
| 50               | 82.72           | 60.96 | 72.64 | 68.76 |
| 60               | 95.40           | 73.66 | 85.34 | 81.46 |
| 64               | 100.5           | 78.74 | 90.42 | 86.54 |