

Pin Header
Surface Mount, Dual Rows, 2.0mm Pitch

Product Specification:

Materials and Finish

Insulator: Glass-reinforce thermoplastic, UL-94V-0 rated, color-black, resist to short term temperature in infra-red ray reflow phase - 260 degrees C for 20 seconds. (See page 9 "Reflow Conditions" for detailed information)

Contact: Phosphor Bronze per QQ-B-750, plated full 100µ" tin/lead or selected gold in mating area; 100µ" min. tin-lead on termination area, with entire contact under-plated 50µ" min. nickel

Electrical

Contact Resistance: 20 milliohms max. at 1 ampere DC

Current Rating: 2 amperes per contact

Insulation Resistance: 2500 megohms at 500 VDC

Dielectric Withstanding Voltage: 250 VAC/rms 60Hz for one minute

Voltage Rating: 250 VAC/rms 60Hz

Mechanical

Contact Retention: 2.0 kgs minimum per contact

Durability: See page 9

Related Product Data

PC Board Layout: See page 45

Ordering Information:

G825M XX X X X X

Pin Header
Surface Mount
2.0mm Pitch
Dual Rows

Number of Positions
 Dual Rows: 04 to 50

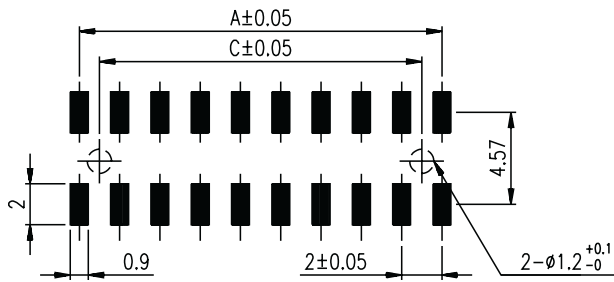
Contact Finish
 0: Full flash gold
 1: Flash gold
 2: 10µ" gold
 3: 30µ" gold
 4: Tin

Height of Insulator
 0: 1.4 mm
 1: 2.1 mm

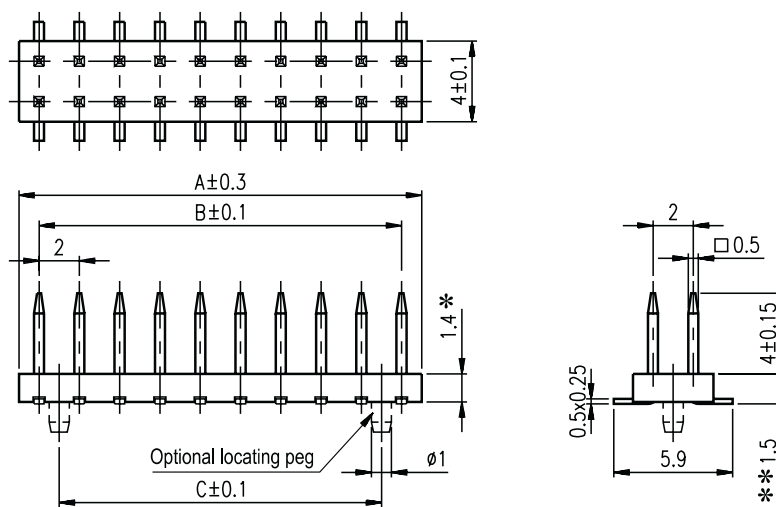
Mounting Type
 1: Standard (without locating peg)
 2: With locating peg

Variation Code
 Blank: Standard

Pin Header Surface Mount, Dual Rows, 2.0mm Pitch



Recommended PCB Layout



* Please refer to "Height of Insulator" for order information.

** For 1.4mm height option only. If the height is 2.1mm, the dimension of 2.3mm can be applied.

No. of Positions	Dimensions (mm)			No. of Positions	Dimensions (mm)		
	A	B	C		A	B	C
4	4	2		28	28	26	24
6	6	4	2	30	30	28	26
8	8	6	4	32	32	30	28
10	10	8	6	34	34	32	30
12	12	10	8	36	36	34	32
14	14	12	10	38	38	36	34
16	16	14	12	40	40	38	36
18	18	16	14	42	42	40	38
20	20	18	16	44	44	42	40
22	22	20	18	46	46	44	42
24	24	22	20	48	48	46	44
26	26	24	22	50	50	48	46