

RJE1B

Product Specification S6107C Rev 1.1

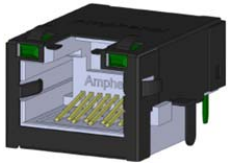
Amphenol

Now you're connected!

About Amphenol Commercial Products
Amphenol's commercial connector products are used in a variety of end user applications including networking, telecom, server & computer, storage & HDD, consumer electronics and entertainment, professional audio & Industrial & Military/Aerospace.

Related Products

RJE72



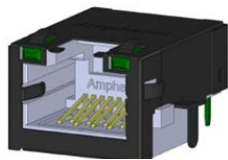
P/N RJE72-188-1153 SHOWN
SINGLE PORT, 8 POSITION,
WITH SHIELD AND LEDs

RJE45

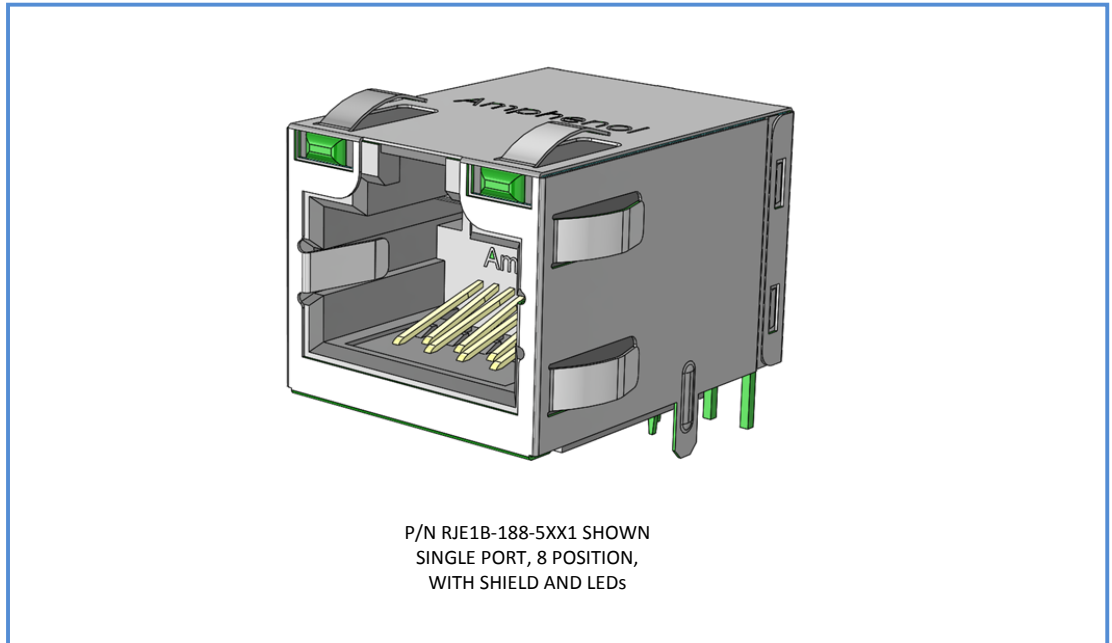


P/N RJE45-X385-01 SHOWN
SINGLE PORT, 8 POSITION,
WITH SHIELD AND LEDs

RJE71



P/N RJE71-188-1452 SHOWN
SINGLE PORT, 8 POSITION,
WITH SHIELD AND LEDs



P/N RJE1B-188-5XX1 SHOWN
SINGLE PORT, 8 POSITION,
WITH SHIELD AND LEDs

Overview

This product specification defines the general use and performance parameters for Amphenol's RJE1B series of modular jacks.

Availability: Single port connector available with a wide variety of LED and shielding options.

Usage

The RJE1B series of modular jacks meet CAT6 performance per EIA-568-C.2. It supports Gigabit Ethernet Protocols. Shielding available for increased EMI performance and LEDs for Link Activity and Network Speed verification.

Applications

Intended for use in applications such as:

Networking & Telecom

- Wireless (WiMAX)
- Network servers
- Hubs, routers, switches

Office & Home Equipment

- PC's, Laptops, Copiers/Printers
- Telephones, modems
- Surge Protectors
- ATMs, Vending Machines

Consumer Goods

- Security Systems
- Set Top Boxes
- Video Game Systems

Miscellaneous

- Multi-Media Equipment
- Industrial Equipment
- POS Terminals

Now you're connected!

About Amphenol Commercial Products

Amphenol's commercial connector products are used in a variety of end user applications including networking, telecom, server & computer, storage & HDD, consumer electronics and entertainment, professional audio & Industrial & Military/Aerospace.

Related Products

RJE58



P/N RJE58-188-5XX1 SHOWN
SINGLE PORT, 8 POSITION,
WITH SHIELD AND LEDs
CAT5e

RJE59



P/N RJE59-188-5XX1 SHOWN
SINGLE PORT, 8 POSITION,
WITH SHIELD AND LEDs
CAT6

Electrical Characteristics

Contact resistance:	20 mΩ max.
Insulation resistance:	500 MΩ minimum at 500V DC for 2 minutes max.
Current rating:	1.25 Amps
Voltage rating:	125 Volts AC
DWV	1000 VAC, 60 Hz. 1 min.
LED forward DC current:	20mA typical
LED forward Voltage:	1.9 Volts max. @ 2mA (for single colors) 2.6 Volts max. @ 20mA (for Bi-colors)
LED reverse voltage:	5 Volts minimum
LED light intensity:	0.4 to 1.5 mcd @ 2mA (for single colors) 0.5 mcd min. @ 2mA (for Bi-colors)
LED wave length:	Yellow: 587± 7 nm measured @ 20mA Green: 565± 6 nm measured @ 20mA Red: 625± 5 nm measured @ 20mA

Frequency MHz	Near-end Crosstalk dB Min.	Return Loss dB Min.	Attenuation dB Max.
1.0	75	30	0.1
4.0	75	30	0.1
8.0	75	30	0.1
10.0	74	30	0.1
16.0	69.9	30	0.1
20.0	68	30	0.1
25.0	66	30	0.1
31.25	64.1	30	0.11
62.5	58.1	30	0.16
100.0	54	28	0.20
200.0	48	22	0.28
250.0	46	20	0.32

Mechanical Characteristics

Mating connector insertion force:	5.0 lbs. Maximum.
Mating connector pull retention force:	20 lbs Minimum.
Durability:	750 mating & unmating cycles
Operating temperature:	-55° C to +85° C
Recommended soldering temperature:	
Wave soldering peaked at	260° C for 5 seconds maximum.

Now you're connected!

About Amphenol Commercial Products

Amphenol's commercial connector products are used in a variety of end user applications including networking, telecom, server & computer, storage & HDD, consumer electronics and entertainment, professional audio & Industrial & Military/Aerospace.

Related Products

RJE1A



P/N RJE1A-188-5XX1 SHOWN
SINGLE PORT, 8 POSITION,
WITH SHIELD AND LEDs
CAT5e

RJE60



P/N RJE60-188-5XX1 SHOWN
SINGLE PORT, 8 POSITION,
WITH SHIELD AND LEDs
CAT6A

Material Requirements

RJE1B connectors are RoHS compliant.

Unless otherwise specified, the materials for each component shall be:

Insulator:

- High Temp thermoplastic. Complies with UL 94V-0, Black color

Contacts:

- Phosphor Bronze hard temper with gold thickness options (6 μ "", 15 μ "", 30 μ "", 50 μ "") over 50 μ " minimum Nickel on contact mating area.
- 100 μ " minimum matte tin plating on solder tails

Shield:

- Stainless steel with tin dipped tails

LED:

- Tin plating on LED tails

Available Documents

Drawing Numbers:

P-RJE1B-188-5XX1

Single port Cat 6 Modular Jack, 8 Position, with LEDs and Shield.

Contact factory or Authorized Amphenol representative for additional configurations.